

InGaAs PIN photodiode with preamp G8339/G8342/G7881/G8796 series

Receptacle type, 1.3/1.55 μm , 156, 622 Mbps/1.25, 2.5 Gbps



G8339/G8342/G7881/G8796 series are high-speed receivers specifically developed for 1.3/1.55 μm band optical fiber communications. These devices incorporate a high-speed, high-sensitivity InGaAs PIN photodiode and a high-speed preamp integrated in a receptacle module. Packages are available with various connectors and mounting styles.

Features

- Wide dynamic range
G8339 series (156 Mbps) : -37 to -5 dBm
G8342 series (622 Mbps) : -32 to -5 dBm
G7881 series (1.25 Gbps) : -25 to -1 dBm
G8796 series (2.5 Gbps) : -22 to +1 dBm
- Integrated with trans-impedance amplifier
- Supply voltage
G8339/G8342 series: 3.3 V
G7881/G8796 series: 3.3 V, 5 V
- Differential output

Applications

- Optical fiber communications
- Fiber channel
- Gigabit Ethernet
- HDTV
- SDH

■ Absolute maximum ratings (Ta=25 °C)

Parameter	Symbol	G8339 series	G8342 series	G7881 series	G8796 series	Unit
Supply voltage	Vcc	-0.3, +3.8	-0.3, +3.8	-0.3, +5.5	-0.5, +6	V
Operating temperature	Topr	-20 to +70				°C
Storage temperature	Tstg	-40 to +85				°C

■ Specifications (Typ. Ta=25 °C, Vee=0 V, capacitive coupling, $\lambda=1.31 \mu\text{m}$, unless otherwise noted)

Parameter	Symbol	Condition	G8339 series	G8342 series	G7881 series	G8796 series	Unit
			Vcc=3.3 V RL=500 Ω *1	Vcc=3.3 V RL=500 Ω *1	Vcc=3.3/5 V RL=50 Ω	Vcc=3.3/5 V RL=50 Ω	
Photo sensitivity	S	*2, *3	27	17	2.8	1.2	V/mW
Supply current	Icc	dark state, RL= ∞	25	30	35	35	mA
Output bias voltage	Vo	dark state, RL= ∞	1.5	1.65	Vcc - 1.7	Vcc - 0.25	V
Rise time	tr	*3, 20 to 80 %	2000	500	250	150	ps
Data rate	B		156 M	622 M	1.25 G	2.5 G	bps

*1: G8339/G8342 series cannot be operated with RL=50 Ω , so they should be used with a load resistance larger than 500 Ω .

*2: Single ended (Vout+) measurement using a single mode optical fiber with a master plug.

*3: G8339/G8342 series: Pin= -30 dBm

G7881 series: Pin= -22 dBm

G8796 series: Pin= -17 dBm

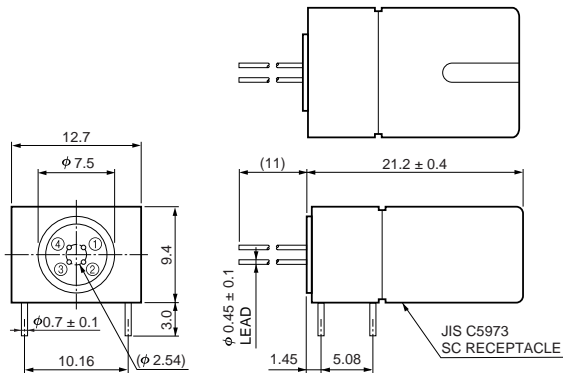
■ Package lineup

Parameter	G8339/G8342/G7881/G8796				
	-21	-22	-23	-32	-44
Mounting style	Board			Panel	Board & panel
Connector	SC	FC	MU	FC	LC
Dimensional outline	①	②	③	④	⑤

InGaAs PIN photodiode with preamp G8339/G8342/G7881/G8796 series

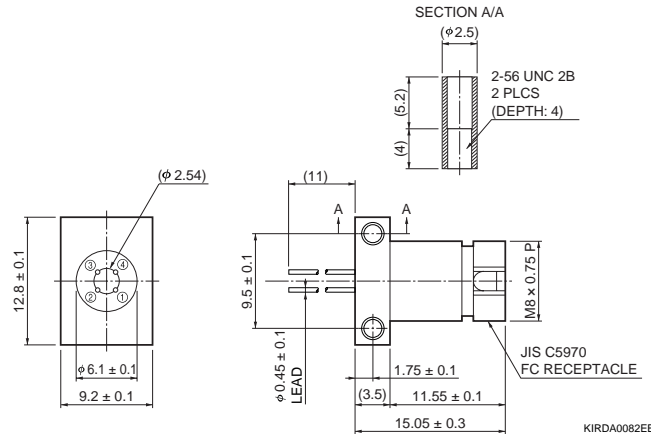
■ Dimensional outlines (unit: mm, tolerance unless otherwise noted: ± 0.2 mm)

① G8339/G8342/G7881/G8796-21



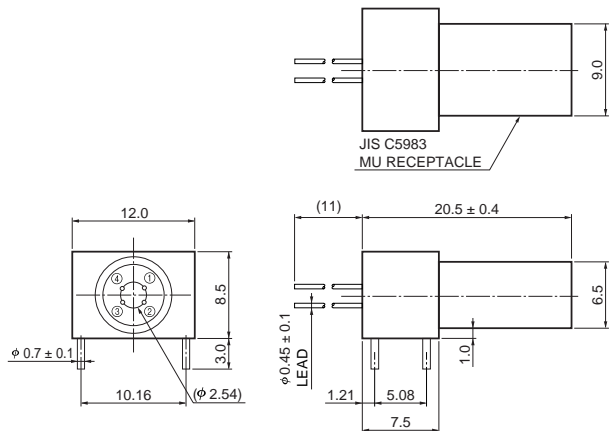
KIRDA0081EB

② G8339/G8342/G7881/G8796-22



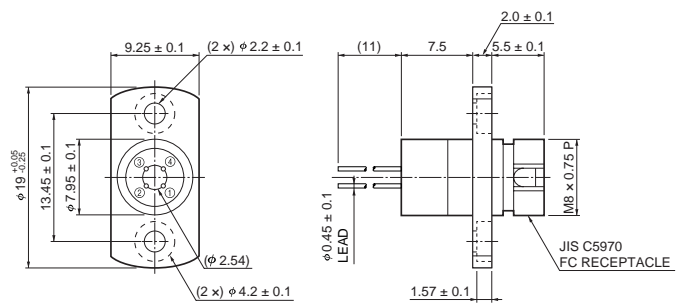
KIRDA0082EB

③ G8339/G8342/G7881/G8796-23



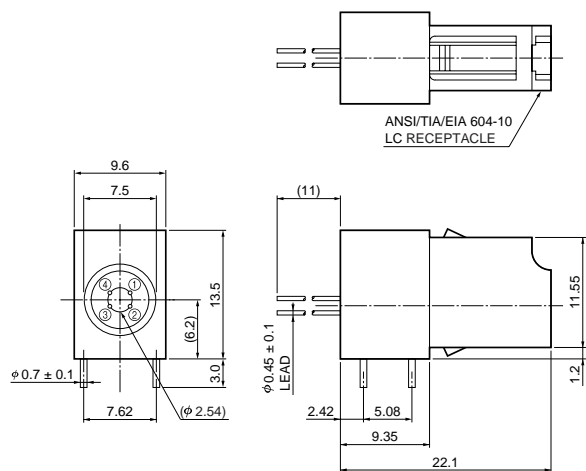
KIRDA0109EA

④ G8339/G8342/G7881/G8796-32



KIRDA0083EB

⑤ G8339/G8342/G7881/G8796-44



KIRDA0110EB

■ Pin connection

Pin No.	G8339/G8342/ G8796 Series	G7881 Series
①	Vcc	Vcc
②	Vout -	Vout +
③	Vee	Vee
④	Vout +	Vout -

HAMAMATSU

Information furnished by HAMAMATSU is believed to be reliable. However, no responsibility is assumed for possible inaccuracies or omissions. Specifications are subject to change without notice. No patent rights are granted to any of the circuits described herein. ©2002 Hamamatsu Photonics K.K.

HAMAMATSU PHOTONICS K.K., Solid State Division

1126-1 Ichino-cho, Hamamatsu City, 435-8558 Japan, Telephone: (81) 053-434-3311, Fax: (81) 053-434-5184, <http://www.hamamatsu.com>

U.S.A.: Hamamatsu Corporation: 360 Foothill Road, P.O.Box 6910, Bridgewater, N.J. 08807-0910, U.S.A., Telephone: (1) 908-231-0960, Fax: (1) 908-231-1218

Germany: Hamamatsu Photonics Deutschland GmbH: Arzbergerstr. 10, D-82211 Herrsching am Ammersee, Germany, Telephone: (49) 08152-3750, Fax: (49) 08152-2658

France: Hamamatsu Photonics France S.A.R.L.: 8, Rue du Saule Trapu, Parc du Moulin de Massy, 91882 Massy Cedex, France, Telephone: 33-(1) 69 53 71 00, Fax: 33-(1) 69 53 71 10

United Kingdom: Hamamatsu Photonics UK Limited: 2 Howard Court, 10 Tewin Road, Welwyn Garden City, Hertfordshire AL7 1BW, United Kingdom, Telephone: (44) 1707-294888, Fax: (44) 1707-325777

North Europe: Hamamatsu Photonics Norden AB: Smidesvägen 12, SE-171 41 Solna, Sweden, Telephone: (46) 8-509-031-00, Fax: (46) 8-509-031-01

Italy: Hamamatsu Photonics Italia S.R.L.: Strada della Moia, 1/E, 20020 Arese, (Milano), Italy, Telephone: (39) 02-935-81-733, Fax: (39) 02-935-81-741

Cat. No. KIRD1030E04
Jan. 2002 DN